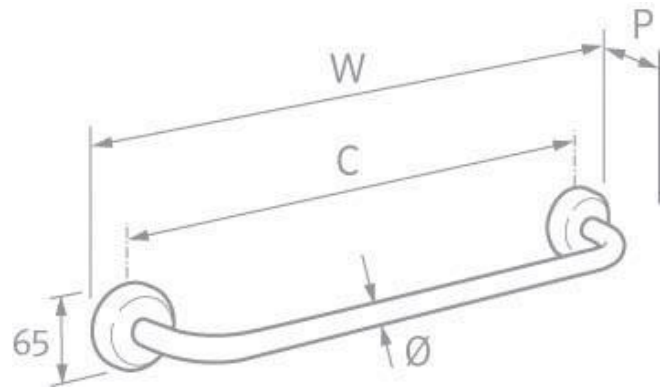


# PRODUCT SPECIFICATION SHEET

TL09

## Grab Rail



<b>DIMENSIONS (MM)</b>	W : 365	D : 65	P : 85
<b>MATERIALS:</b>	Brass, Zinc diecast		
<b>SPECIAL FEATURES:</b>	Contemporary Design, Service Condition 2 Chromium Plating BS EN 12540:2000		
<b>CLEANING:</b>	Clean with a soft cloth and mild detergent. No abrasives to be used		
<b>GUARANTEE:</b>	20 Year Manufacturing Guarantee		